

Installation Instructions

Thank you for purchasing the Telescopic Rod Holder Accessory by TACO Marine. Since 1959, we have taken great pride in offering the highest-quality products with excellent customer service. We stand behind our products 100 percent. Please visit our website tacomarine.com for more detailed information on a wide variety of products and to register your new accessory for warranty.

1. To use the Telescopic Rod Holder Accessory, simply insert the solid gimbal butt into any standard rod holder along the gunnel.
2. Once securely in place, remove the Pull-Pin at the bottom joint and adjust the upward angle using the Sure-Grip Knob, also at the bottom joint, to the desired 0°, 15°, or 30° angle. (See Figure A on page 2.)
3. Once the upward angle is set, reinstall the Pull Pin and tighten the Sure-Grip Knob.
4. Then, at the top of the Accessory, simply insert the Fixed or Adjustable Rod Holder Mount into the opening, allowing the gimbal mount to seat into the Accessory gimbal pin. (See Figure B on page 2.)
5. Next, attach ShadeFin into the Mount, as directed in the ShadeFin Instruction Manual, and deploy.
6. Use the throw latch to adjust the ShadeFin height and horizontal rotation.
7. When done using the Telescopic Rod Holder Accessory, use the throw latch to carefully collapse the ShadeFin height down.
8. Then collapse and remove the ShadeFin from the Fixed or Adjustable Rod Holder Mount at the top of the Accessory, according to the ShadeFin Instruction Manual.
9. Next, remove the Fixed or Adjustable Rod Holder Mount from the Accessory.
10. Finally, lift the Accessory out of the gunnel rod holder and adjust the upward angle at the bottom joint – setting it as needed for storage. Ensure the Sure-Grip Knob is tight and the Pull-Pin is in place before stowing.

Box Includes

- 1 TELESCOPIC ROD HOLDER ACCESSORY

Required* *not included

- 1 FIXED ROD HOLDER MOUNT T10-3000-5 (SOLD SEPARATELY)
- OR 1 ADJUSTABLE ROD HOLDER MOUNT T10-3000-6 (SOLD SEPARATELY)
- 1 SHADEFIN (SOLD SEPARATELY)

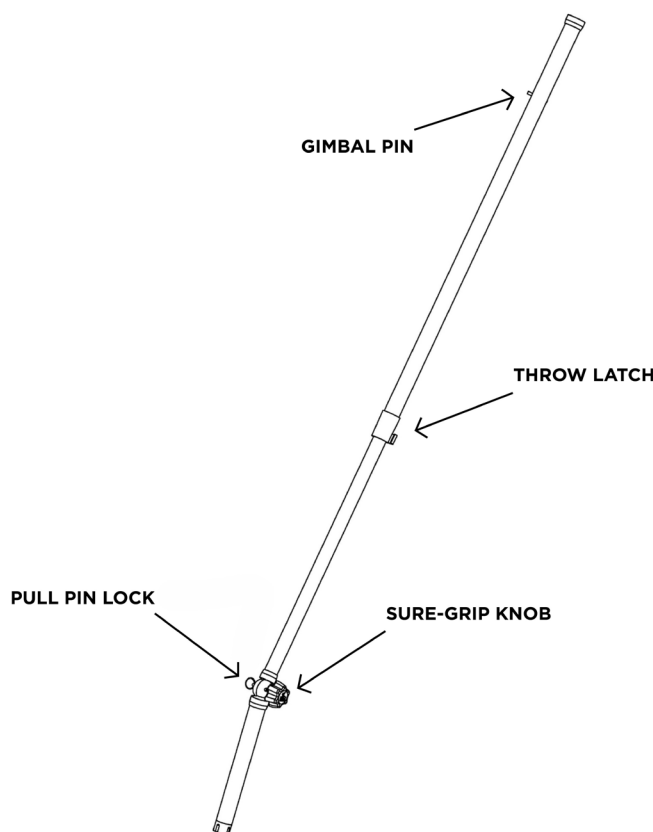


Figure A

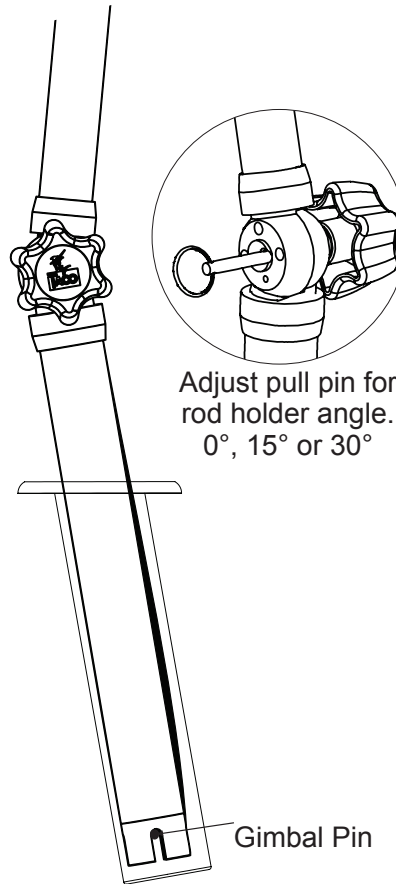


Figure B

